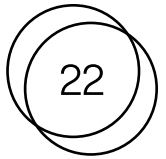


# Single Mounting Plate — Ø35 Concrete



22.2.50

## Description

The concrete mounting plate is designed for concrete applications. The mounting plate is compatible with any of the 22 System Ø35 long devices.

## Patents

US # 7,956,295 B2 & 8,912,439 B2  
Worldwide utility patents pending.

## Installation

For poured concrete. Please refer to our [installation instructions](#).

## Certifications



## Materials

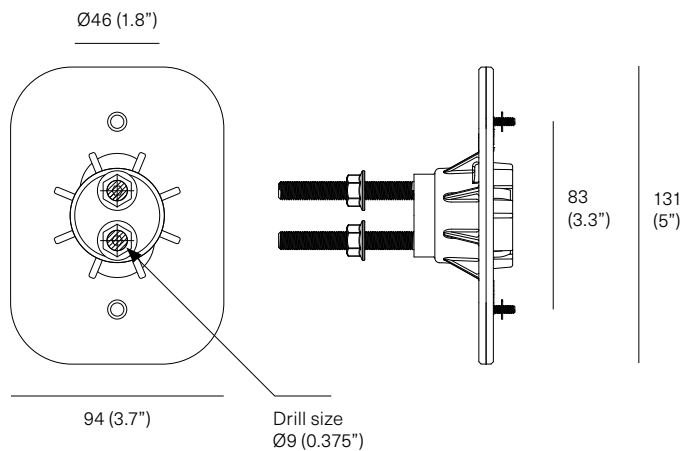
Polycarbonate

## Finishes

Black/grey

---

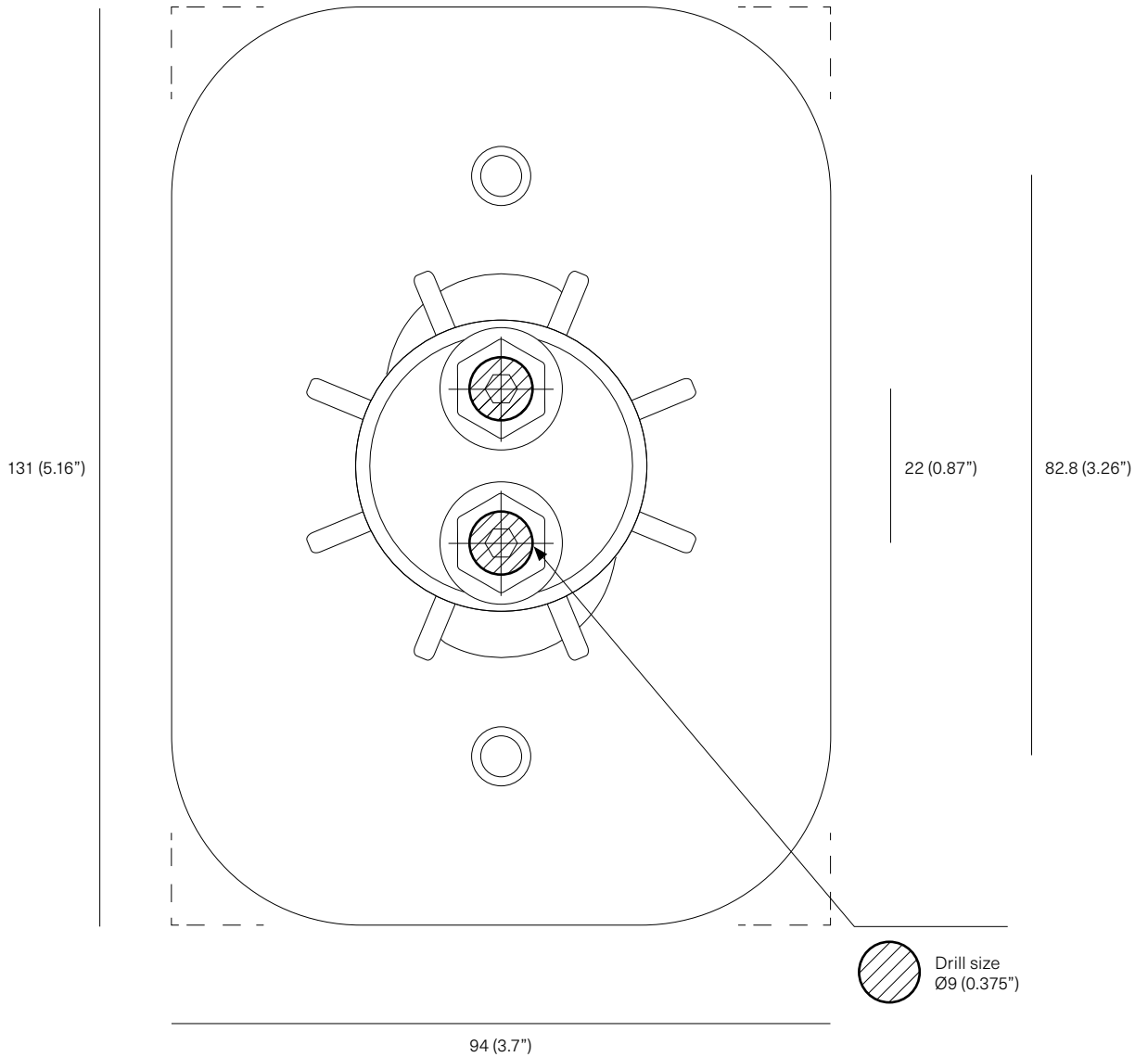
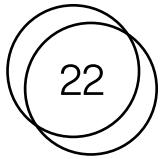
## Dimensions



single  
22.2.50

# Single Mounting Plate — Ø35 Concrete Template

22.2.50



Scale 1:1

DO NOT SCALE DRAWING