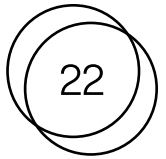


Single Mounting Plate — Ø35 Alternate



22.2.5

Description

The alternate mounting plate is designed to be used on surfaces other than drywall - for example: millwork, stone, glass, tile, metal, etc. The mounting plate will accommodate a wide range of finish material thicknesses and accept any of the 22 System Ø35 devices.

Patents

US # 7,956,295 B2 & 8,912,439 B2
Worldwide utility patents pending.

Certifications



Installation

Drilled and mounted behind rigid material.

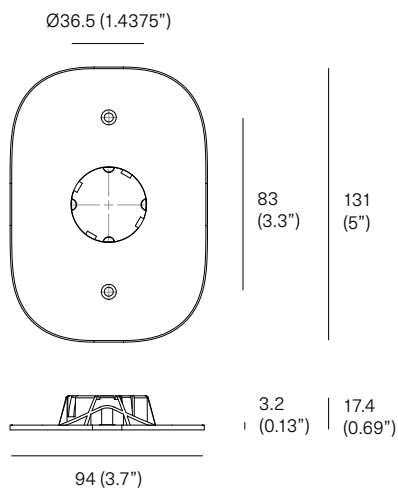
Materials

Polycarbonate

Finishes

White

Dimensions



single
22.2.5