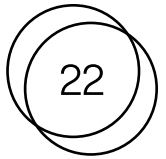


Single Mounting Plate — Ø46 Plasterboard



22.2.15

Description

The plasterboard mounting plate is designed to plaster directly into wall without a visible cover plate or trim. The mounting plate will accommodate any of the 22 System Ø46 devices in the short device depth.

Patents

US # 7,956,295 B2 & 8,912,439 B2
Worldwide utility patents pending.

Installation

Plasterboard

Certifications



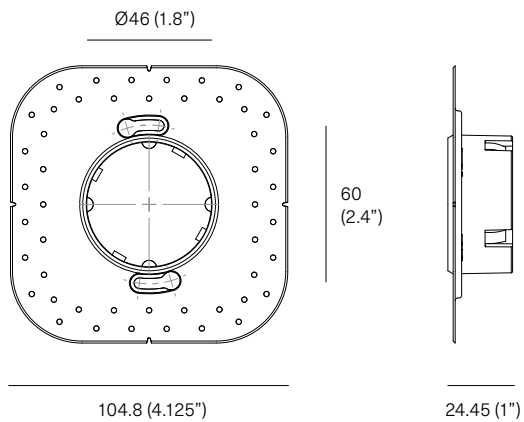
Materials

Polycarbonate
Conform for BS4662 boxes and IEC 60670 boxes.

Finishes

White

Dimensions



single
22.2.15