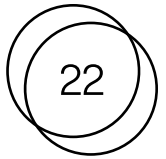


# Single Mounting Plate — Ø35 Plasterboard



22.2.17

## Description

The plasterboard mounting plate is designed to plaster directly into wall without a visible cover plate or trim. The mounting plate will accommodate any of the 22 System Ø35 devices in the short device depth.

## Installation

Plasterboard  
Conform for BS4662 boxes and IEC 60670 boxes.

## Materials

Polycarbonate

## Finishes

White

## Patents

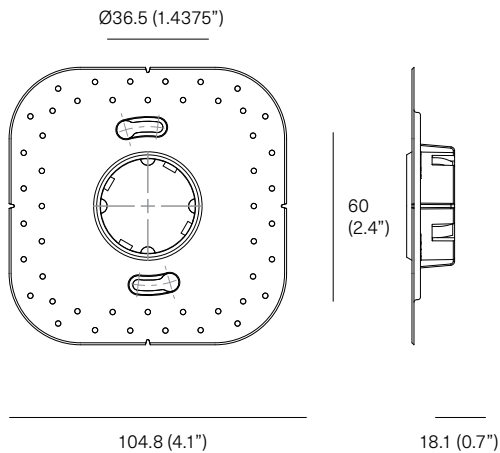
US # 7,956,295 B2 & 8,912,439 B2  
Worldwide utility patents pending.

## Certifications



---

## Dimensions



**single**  
22.2.17