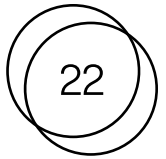


Double Mounting Plate — Ø46 Plasterboard



22.2.16

Description

The plasterboard mounting plate is designed to plaster directly into wall without a visible cover plate or trim. The mounting plate will accommodate any of the 22 System Ø46 devices in the short device depth.

Installation

Plasterboard
Conform for IEC 60670 boxes

Not compatible with BS4662 boxes.

Materials

Polycarbonate

Finishes

White

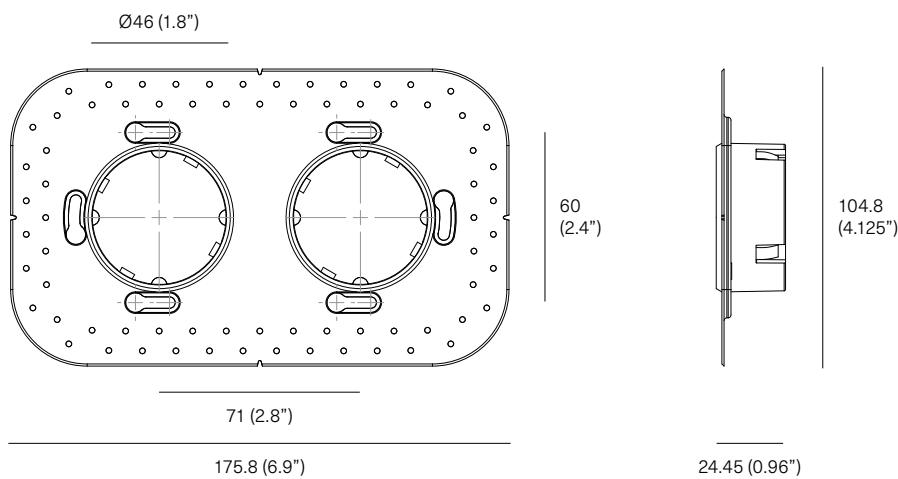
Patents

US # 7,956,295 B2 & 8,912,439 B2
Worldwide utility patents pending.

Certifications



Dimensions



double linear
22.2.16