

Single Mounting Plate — Ø46 Adjustable Corded



22.2.65

Description

The adjustable corded mounting plate is designed for direct installation into furniture with material thickness 0.25mm to 33.75mm. The mounting plate will accommodate 22 System 22.9.XX Ø46 devices.

Installation

Furniture
Designed for use without an electrical box.

Materials

Polycarbonate

Finishes

Black

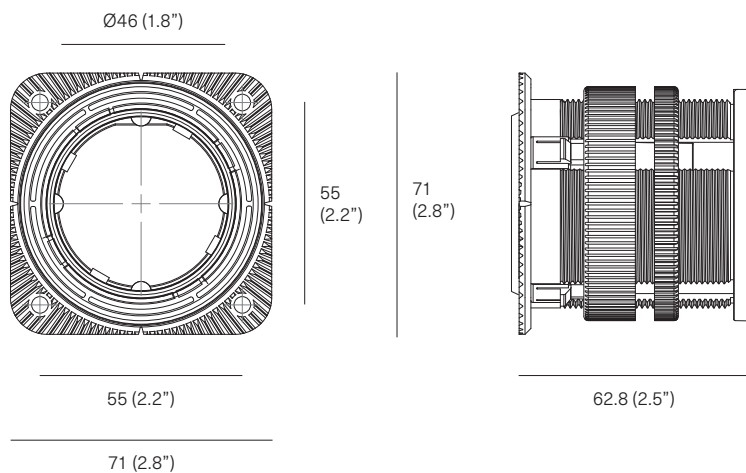
Patents

US # 7,956,295 B2 & 8,912,439 B2
Worldwide utility patents pending.

Certifications



Dimensions



single
22.2.65