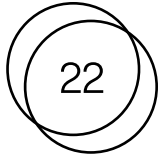
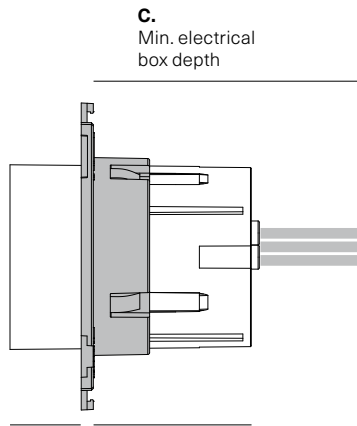


Choosing the Right Electrical Box: Alternate



Install 22 System with a plastic or metal electrical box. Please refer to your local electrical and building authorities to determine what kind of boxes and raceways are allowed for your building.

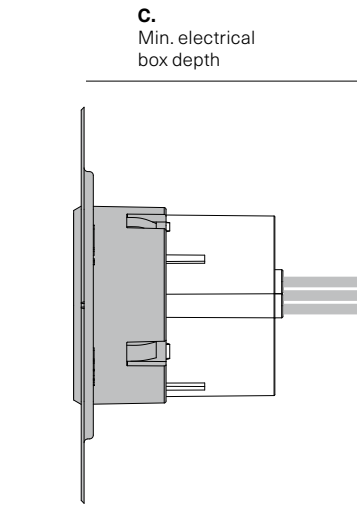


A. Device length in front of the mounting plate

B. Device length behind the mounting plate

Name	Code	Diameter	A	B	C
	22.3.18S		6.35	41	50
Outlet Type C/F	22.3.18M	Ø46	19.05	29	35
	22.3.18L		31.75	20	30
	22.3.19S		6.35	32	40
Outlet Type G	22.3.19M	Ø46	19.05	26	35
	22.3.19L		31.75	20	30
	22.3.11S		6.35	40	50
USB-C	22.3.11M	Ø35	19.05	28	40
	22.3.11L		31.75	15	25
	22.3.12S		6.35	28	45
HDMI	22.3.12M	Ø35	19.05	26	45
	22.3.12L		31.75	26	45

Plasterboard



A. Device length in front of the mounting plate

B. Device length behind the mounting plate

Name	Code	Diameter	A	B	C
Outlet Type C/F	22.3.18S	Ø46	0	46	55
Outlet Type G	22.3.19S	Ø46	0	37	45
USB-C	22.3.11S	Ø35	0	45	55
HDMI	22.3.12S	Ø35	0	53	60