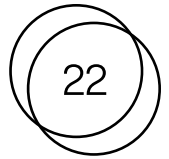


Single Mounting Plate — Ø46 Alternate



22.2.19B

Description

The alternate mounting plate is designed to be used on surfaces other than plasterboard - for example: millwork, glass, stone, etc. The mounting plate will accommodate a wide range of finish material thicknesses and accept any of the 22 System Ø46 devices.

The clickable mounting plate is designed to create a straight line of outlets. Each line should be connected to the same continuous electrical box.

Installation

Drilled and mounted behind rigid material. Conform for IEC 60670 boxes for all installations.

Conform for BS4662 boxes for single installation only.

Materials

Polycarbonate

Finishes

Black

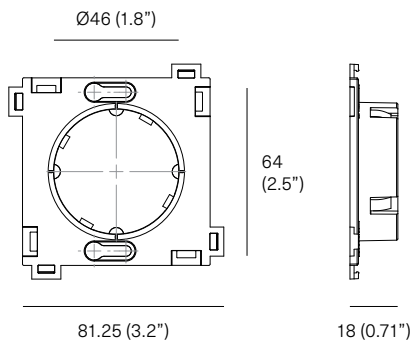
Patents

US # 7,956,295 B2 & 8,912,439 B2
Worldwide utility patents pending.

Certifications



Dimensions



single
22.2.19B