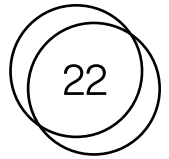


# Single Mounting Plate — Ø35 Alternate



22.2.20B

## Description

The alternate mounting plate is designed to be used on surfaces other than plasterboard - for example: millwork, glass, stone, etc. The mounting plate will accommodate a wide range of finish material thicknesses and accept any of the 22 System Ø35 devices.

The clickable mounting plate is designed to create a straight line of devices. Each line should be connected to the same continuous device box.

## Installation

Drilled and mounted behind rigid material. Conform for IEC 60670 boxes for all installations. Conform for BS4662 boxes for single installation only.

## Materials

Polycarbonate

## Finishes

Black

## Patents

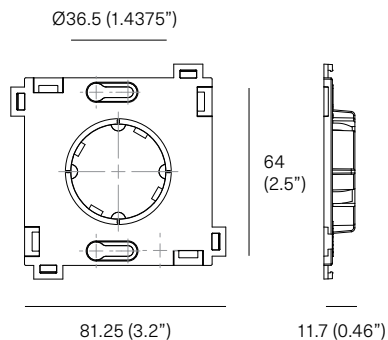
US # 7,956,295 B2 & 8,912,439 B2  
Worldwide utility patents pending.

## Certifications



---

## Dimensions



**single**  
22.2.20B