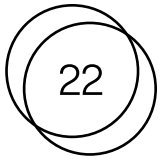


# Installation Instruction—EU/UK: Alternate Material



For installation in finish materials such as millwork, stone, glass, tile, metal, etc.



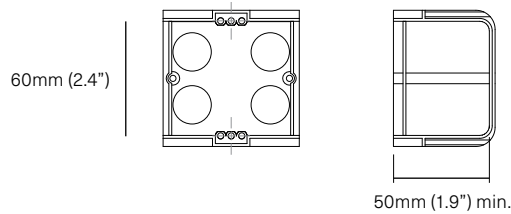
This instruction manual is designed for the following products: 22.3.XX

**You can install 22 System with a plastic or metal electrical box. Please refer to your local electrical and building authorities to determine what kind of boxes and raceways are allowed for your building.**

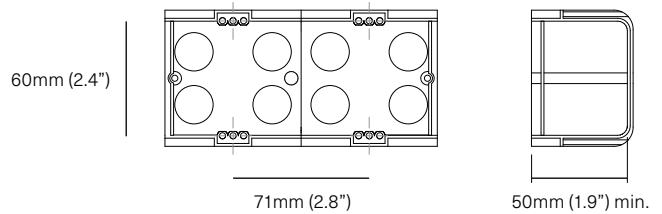
NOTE: The 22 System is a departure from conventional cover plate systems, and requires a licensed electrician and precise and skilled craftsmanship during installation. If you have never installed a 22 System device, we recommend a practice installation.

## Examples

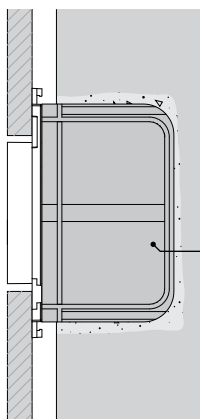
Single Outlet - 71 x 71mm, 50mm depth min.



Double Outlet - two, 71 x 71mm, 50mm depth min.

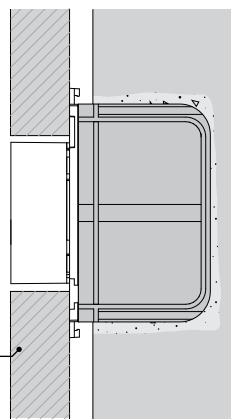


1. Determine finish material thickness and select the appropriate device depth (short/medium/long):



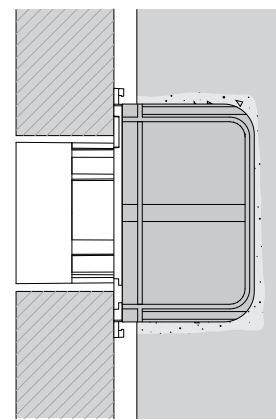
Thickness of finish material:  
6.35mm (1/4")

**Short:** Install the electrical box 9.5mm (0.37") away from finished wall surface.



Thickness of finish material:  
19mm (3/4")

**Medium:** Install the electrical box 22mm (0.87") away from finished wall surface.



Thickness of finish material:  
31.75mm (1-1/4")

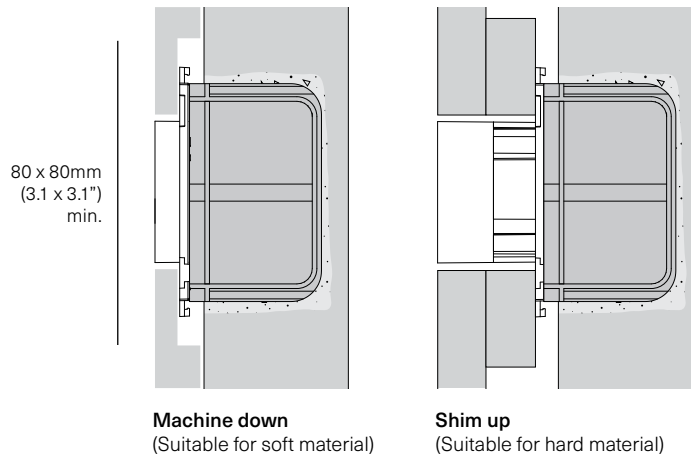
**Long:** Install the electrical box 35mm (1.35") away from finished wall surface.

# Installation Instruction—EU/UK: Alternate Material

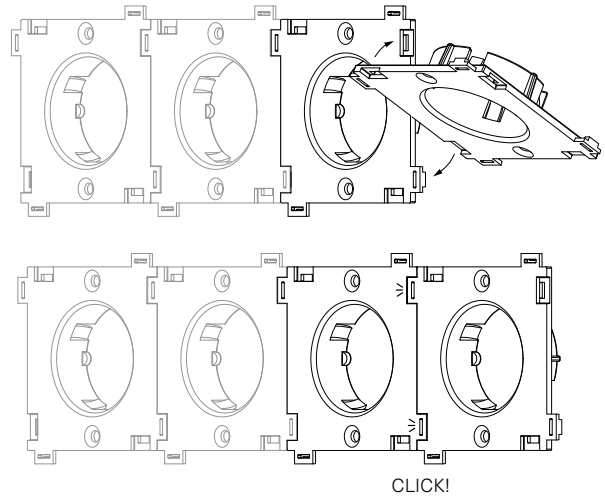
For installation in finish materials such as millwork, stone, glass, tile, metal, etc.

2. Recess and install the electrical box.

**NOTE: If the finish material thickness is not one of the three standard scenarios shown above, select the closest option and machine down or shim up to achieve the correct depth.**

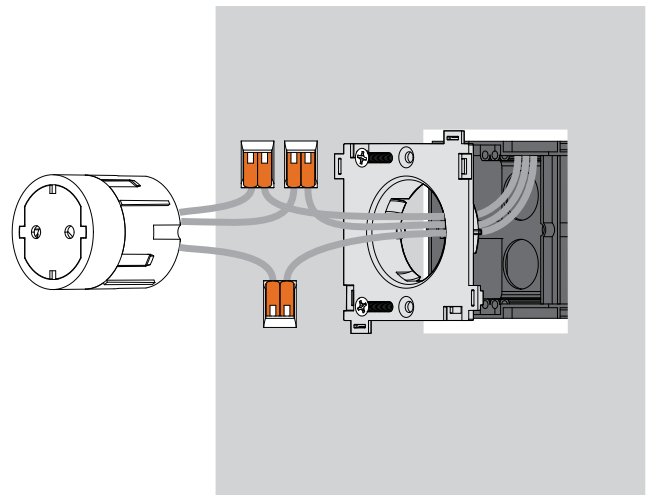
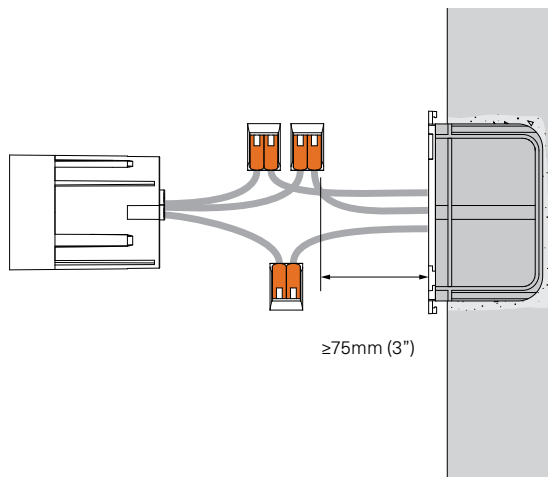


5. For multiple mounting plates, click all the mounting plates together and affix them to the electrical box.



3. **WARNING**  
When installing a product connected to the line voltage, please ensure the power is disconnected at the circuit breaker.
4. The conductors must have sufficient length ( $\geq 75\text{mm}$  / 3") to be accessible from the front of the finished wall surface.

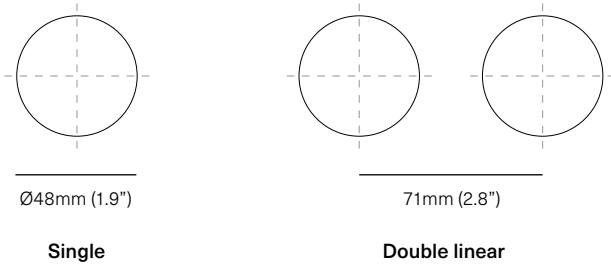
6. Affix the mounting plate to the electrical box. Make all necessary connections using the provided wire connectors. Insert the device into the mounting plate. Ensure that all four locking tabs are engaged.



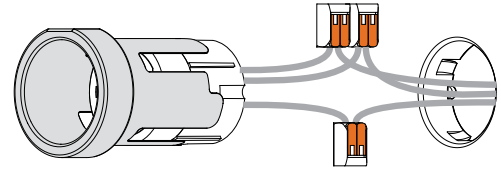
# Installation Instruction—EU/UK: Alternate Material

For installation in finish materials such as millwork, stone, glass, tile, metal, etc.

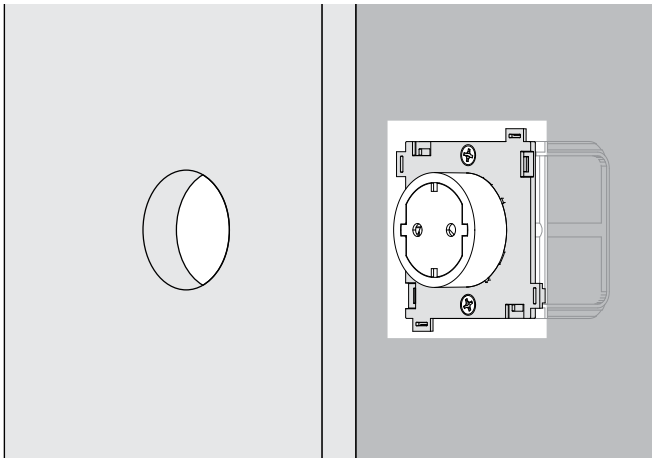
7. Measure and drill hole locations in your finish material. The reveal size must be at least 48mm (1.9") in diameter.



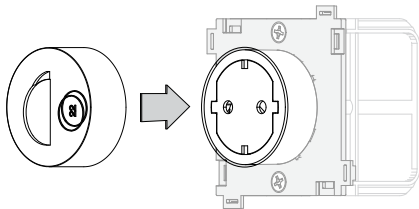
10. **IMPORTANT: For inspection and maintenance, a 22 System Tool (sold separately) is required to access the connectors and conductors. Please see Removal Guide for details.**



11. Record the location of the removal tool on the provided sticker with QR code and affix it to the circuit directory panel.



8. If a wet material such as grout, mortar, plaster etc is used, use the trim cap (22.1.3M) to block the face of the devices to create the necessary reveal. It is recommended to use a Medium barrel for these applications.



9. Install finish material, remove trim cap if used.

