

Installation Instruction—North America: Concrete



Single Outlet - 2 inch box - 12.5 Cubic inches
Double Outlet - 4 inch box - 35 Cubic inches
Double Wide Outlet - 6 inch box - 48 Cubic inches

NOTE: The 22 System is a departure from conventional cover plate systems, and requires a licensed electrician and precise and skilled craftsmanship during installation. If you have never installed a 22 System device, we recommend a practice installation.

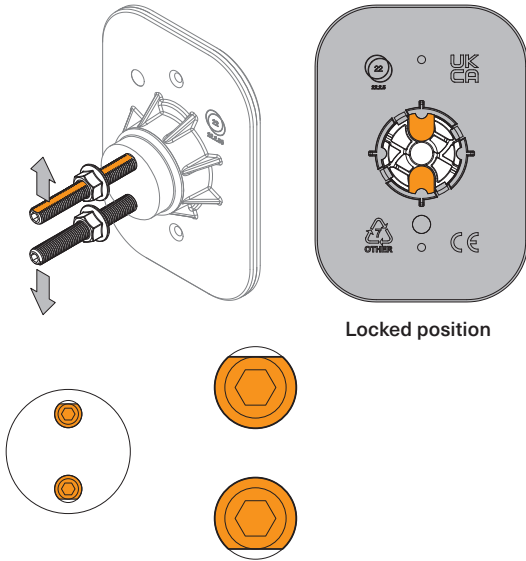
This instruction manual is designed for the following products: 22.5.XX

The branch circuit wiring that supplies each device consists of a separate cable assembly originating outside the box, or individual sets of conductors in a single raceway, all of which originate outside the box. Other than connecting to a single device, the conductors must not be spliced in the box or continued to another device. No other wiring shall enter the box. If a metal device box is installed, the equipment bonding conductor for the box shall be installed prior to installation of the wall finish.

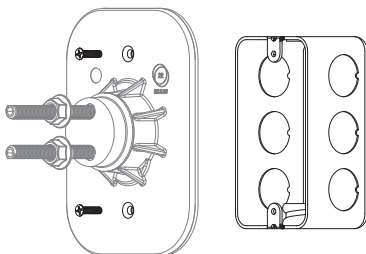
Connections for each device to the conductors shall be made with the provided clamping wire connectors.

The included sticker with QR code shall be added to the circuit directory panel recording the location of the 22 System Tool.

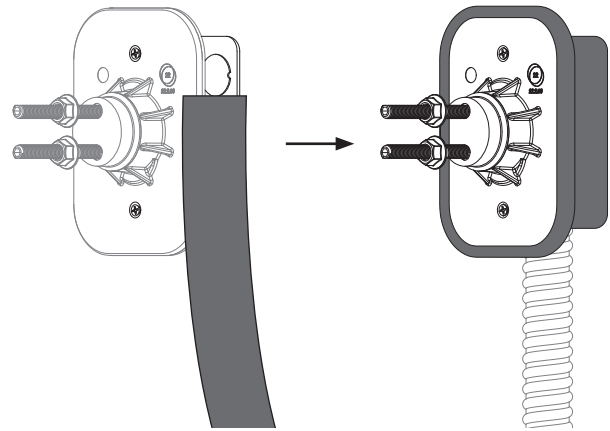
1. Using the pre-assembled plate/insert, ensure the orientation of the flat section of the bolts must be positioned away from each other in their locked positions.



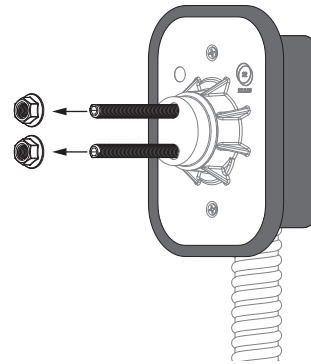
2. Affix the mounting plate to the device box.



3. Seal the mounting plate to the device box with tape.



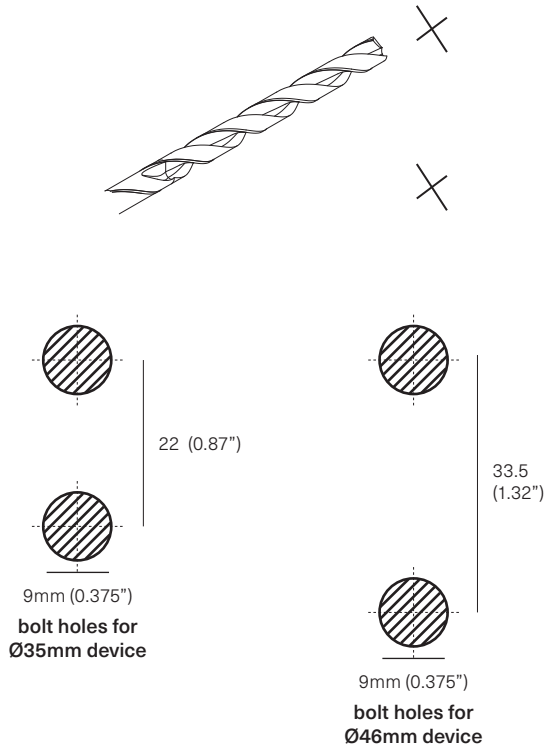
4. Remove nuts.



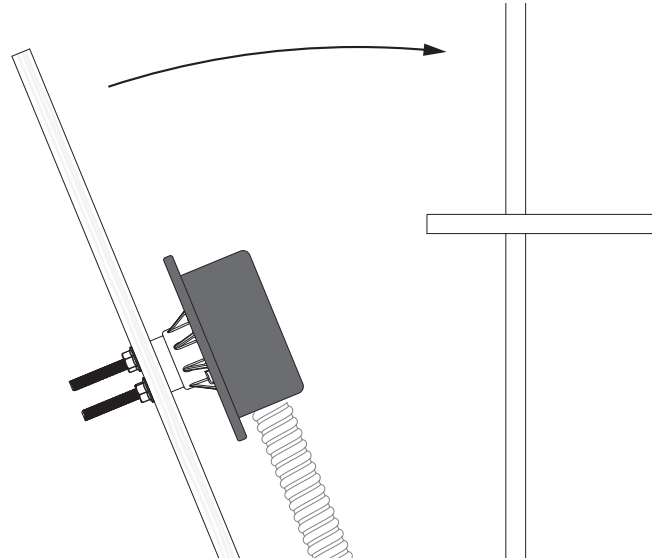
5. To ensure the easy removal of the insert, apply a release agent to the red silicone cap.

Installation Instruction—North America: Concrete

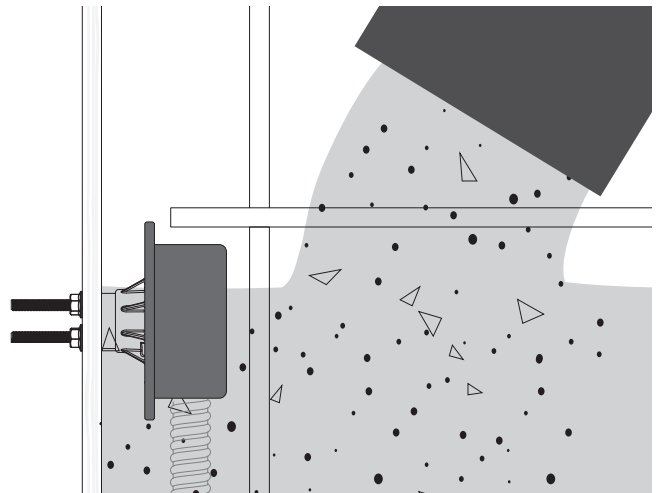
6. Form work set up: Drill bolt holes with the noted specifications. **(Refer to the spec sheet for pdf template).** Ensure the drilled holes are leveled.



8. Attach form work.

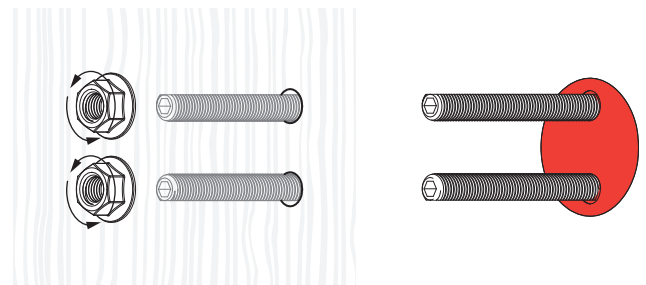
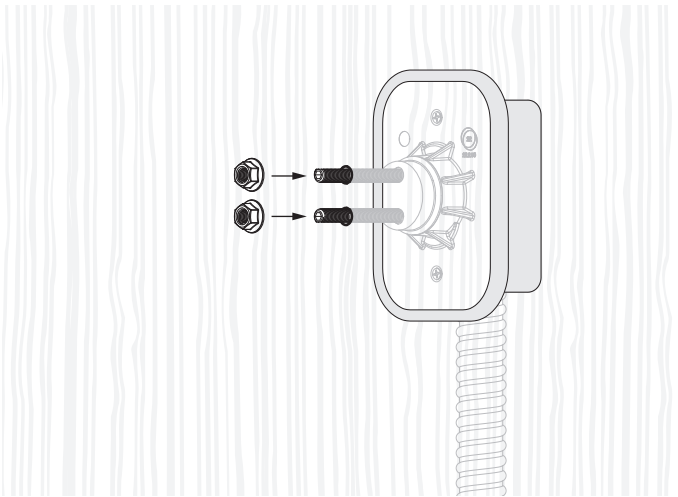


9. Pour the concrete. Avoid pouring concrete directly over the device box.



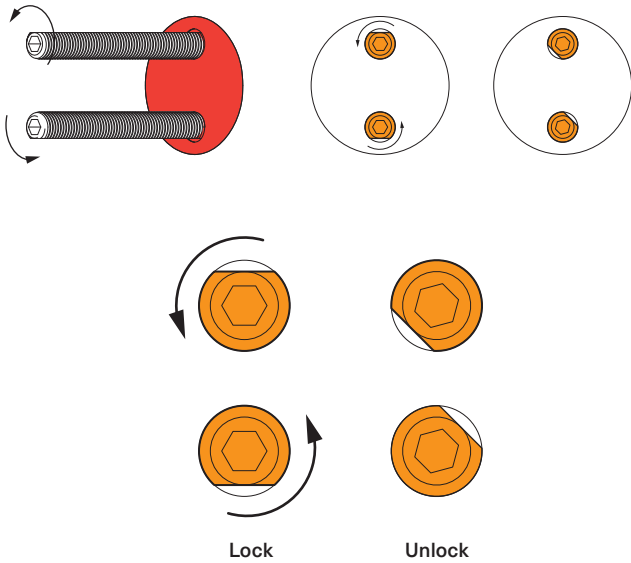
10. Once the concrete has cured, remove the nuts and form work.

7. Secure the assembly to the form work. Ensure the nuts are tighten and the device box is leveled.

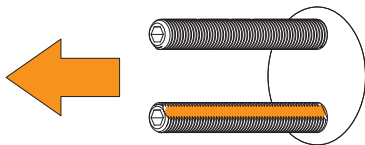


Installation Instruction—North America: Concrete

11. Rotate the bolts counter clockwise so the flat sections match the diagram below.

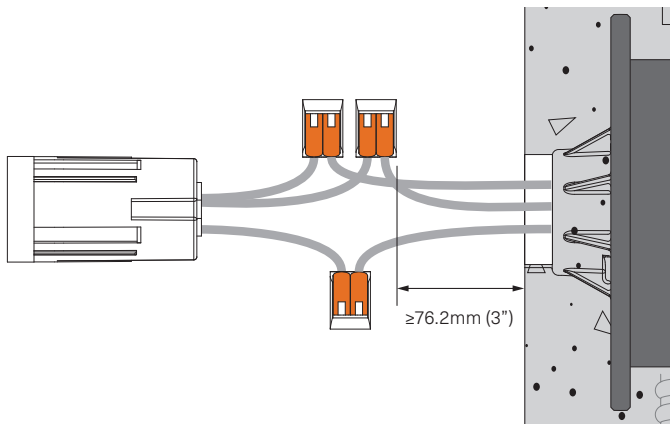


12. Once they are unlocked, extract the inserts by pulling on the bolts.



13. **WARNING**
When installing a product connected to the line voltage, please ensure the power is disconnected at the circuit breaker.

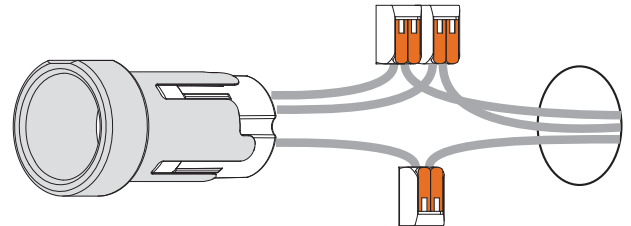
Make all necessary connections using the wire connectors.



14. Insert the device and ensure that all four locking tabs are engaged.



15. **IMPORTANT: For inspection and maintenance, a 22 System Tool (sold separately) is required to access the connectors and conductors. Please see the Removal Guide for details.**



16. Record the location of the 22 System Tool on the provided sticker with QR code and affix it to the circuit directory panel.

